



**OCEAN PINES ASSOCIATION, INC.  
 BID REQUEST FORM**

DEPARTMENT Aquatics DATE March 24, 2016  
 ITEM DESCRIPTION Pool Slide  
 FOR REPLACEMENT OF (if applicable) \_\_\_\_\_  
 BUDGET AMOUNT \$ 17,500.00

BIDDER	TOTAL PRICE EACH	DIFFERENCE FROM BUDGETED	COMMENTS
SCP 7270 Park Circle Drive, Suite J Hanover, MD 21076 410-712-9440	\$18,768.72 + \$1,126.13 Sales Tax = \$19,894.85	+\$2,394.85	Recommended by staff
Pearl Pools 13761-A Travilah Road Rockville, MD 20850 301-294-9901	\$23,275.00 + \$1,396.50 Sales Tax + \$1,950.00 Freight = \$26,621.50	+\$9,121.50	
Pools & Spas 219 N. Rehoboth Boulevard Milford, DE 19963 302-424-1999	\$26,782.00 + \$1,606.92 Sales Tax = \$28,388.92	+\$10,888.92	

<u>APPROVAL</u>			
DEPT. HEAD _____	DATE _____	GENERAL MANAGER _____	DATE _____
ACCOUNTING _____	DATE _____	BOARD _____	DATE _____

\*Please limit 1 item per sheet



69-BALTIMORE-SCP DIST.  
 7270 PARK CIRCLE DR STE J  
 HANOVER, MD 21076-1330  
 Phone 410-712-9440  
 Fax 410-712-9444

# Quotation

QUOTE #	69014927
LOCATION	69
DATE	03/22/16
PAGE	1 of 1

**BILL TO**

199587  
 OCEAN PINES ASSOCIATION INC  
 239 OCEAN PARKWAY  
 OCEAN PINES, MD 21811  
 Phone 410-641-7717  
 Fax 410-641-5581

**SHIP TO**

OCEAN PINES ASSOCIATION INC  
 Customer Pick-Up  
 7270 PARK CIRCLE DR STE J  
 HANOVER, MD 21076-1330  
 Fax 410-641-5581

QUOTE DATE 03/16/16	EXPIRE DATE 04/15/16	REQUIRED DATE	REFERENCE NUMBER VORTEX	PAYMENT TERMS NET 30 DAYS
WRITTEN BY 69 KATHERINE OLIPHANT		CONTACT NOBIE VIOLANTE		SHIP VIA WILL CALL PICKUP
FREIGHT TERMS IN/OUTBOUND		JOB NUMBER		SALES REP 69 /

PRODUCT/DESCRIPTION	QUANTITY	PRICE	U/M	EXTENSION
SRS-35-426 695-209-43 VORTEX FULL TUBE SLIDE W/ STAIRS BLUE	1	18,768.72	EA	18,768.72

MERCHANDISE TOTAL	HANDLING	MISC CHARGE	TAX	FREIGHT	QUOTE TOTAL
18,768.72	0.00	0.00	1,126.13	0.00	19,894.85

ALL RETURNS REQUIRE PREAPPROVAL AND RGA

Accepted:

By: \_\_\_\_\_  
 Date: \_\_\_\_\_

# Ocean Pines - slide

Wayne Moore <wmoore@pearlpools.net>

Tue 3/22/2016 10:38 AM

To: Nobie Violante <nviolante@oceanpines.org>; Tom Leonard <tleonard@pearlpools.net>;

Pricing for slide only (No labor)

S.R. Smith full tube slide (color blue)

- with ladder \$16,625.00

- with spiral stairs \$23,275.00

S.R. Smith half tube slide (color blue)

- with ladder \$15,627.00

- with spiral stairs \$21,945.00

Freight \$1,950.00

Thanks

## Wayne Moore

Vice President of Customer Relations

## Pearl

13761-A Travilah Road | Rockville, MD 20850

[wmoore@pearlpools.net](mailto:wmoore@pearlpools.net)

T: 301.294.9901 | F: 301.294.9904

[www.pearlpools.net](http://www.pearlpools.net)

 [Facebook.com/MyPearlPool](https://www.facebook.com/MyPearlPool)



**UNLIMITED**

**219 N Rehoboth Blvd.**

**Milford, De. 19963**

**302-424-1999**

October 16, 2014

**Ocean Pines Association, Inc.  
239 Ocean Parkway  
Ocean Pines, Md. 21811**

**Attention: Noble**

Thank you, for giving us the opportunity to quote on you indoor slide needs. Here are the slides available and there associated cost. I quoted them delivered only because you usually do your own installs.

SR Smith

Vortex Slide Blue half tube with ladder \$17,686.00

Vortex Slide Blue full tube with ladder \$18,752.00

Vortex Slide Blue half tube with staircase \$25,107.00

Vortex Slide Blue full tube with Staircase \$26,782.00

Helix Slide tan and or gray \$4,230.00

Interfab

G Force slide tan or gray only \$4,280.00

Adrenaline Slide tan or gray only \$4,733.00

Thanks again

*Bob James*

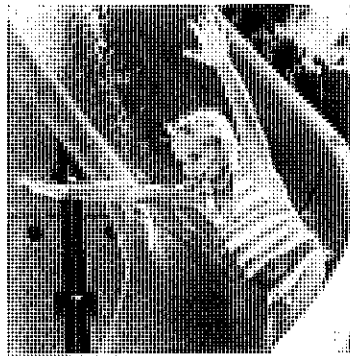
Operations Manager

Pools & Spas Unlimited of Milford

**EA Smith**

POOL SLIDES

# pool SLIDES



# pool slides



## SLIDE INTO FUN

For hours of serious sliding fun, look to S.R.Smith. From the towering Vortex® with its 19' corkscrew runway, to the relatively petite Cyclone with its big personality, we have a pool slide that will transform your swimming pool into a favorite destination for kids of all ages.

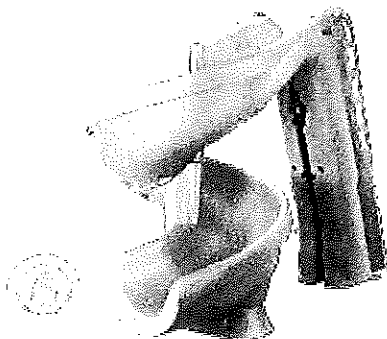
## LET IT FLOW

S.R.Smith slides, with integrated water delivery systems, offer high-volume water fun for a slippery, sloshy ride. The 360 degree heliX™ slide has a patent-pending fountain feature positioned at the top of the slide that provides splashing good fun from top to bottom!



## SAFETY BUILT-IN

We believe fun and safety go hand in hand. That's why each and every one of our slides meet the safety standards for swimming pool slides set forth by the U.S. Consumer Product Safety Commission (16 CFR 1207).



### helix™

Add an all in one 360° adventure ride and a beautiful fountain feature to your backyard.

Height: 7'4"/2.2m

Flume: 360 degrees, 12' 8" long, 22" wide/  
3.8m long, 56cm wide

Water Delivery System: Fountain feature and flume together or independent

Ladder: Enclosed with molded handgrips

Required Deck Space: 9' x 5'2.7m x 1.5m

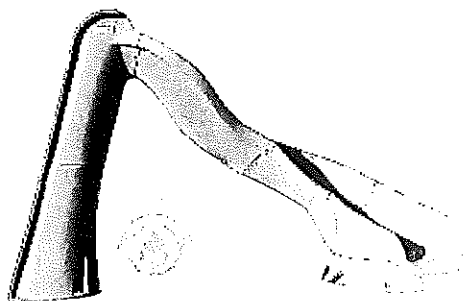
Weight Limit: 250 lbs/113 kg



SANDSTONE



GRAY GRANITE\*



### TurboTwister®

This thrill-ride pool slide is designed with curves and dips that guarantee hours of fun for the entire family!

Height: 8'7"/2.6m

Flume: 14'4" long, 23" wide/4.4m long, 58cm wide,  
available in right or left curves

Ladder: Enclosed with molded handgrips

Required Deck Space: 13'6" x 6'7"/4.1m x 2m

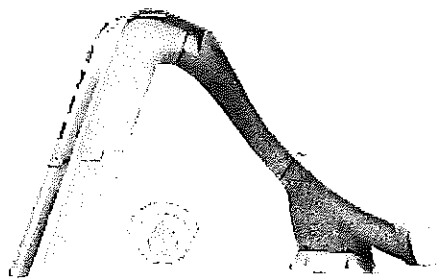
Weight Limit: 275 lbs/124 kg



SANDSTONE



GRAY GRANITE\*



### Typhoon®

Offers all the fun of its big brother, the TurboTwister, yet in a smaller package for more limited deck space. A perfect addition to any backyard pool!

Height: 7'4"/2.2m

Flume: 9'10" long, 22" wide/2.9m long, 56cm wide,  
available in right or left curves

Ladder: Enclosed with molded handgrips

Required Deck Space: 11'8" x 4'/3.5m x 1.2m

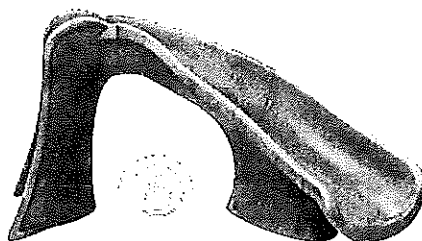
Weight Limit: 275 lbs/124 kg



SANDSTONE



GRAY GRANITE\*



### Cyclone

Compact style ideal for limited deck space and hours of fun!

Height: 4'1"/1.3m

Flume: 6'10" long, 17.5" wide/2m long/44cm wide,  
available in right curve

Ladder: Enclosed with molded handgrips

Required Deck Space: 6'8" x 5'6"/2m x 1.7m

Weight Limit: 175 lbs/79 kg



SANDSTONE



GRAY GRANITE\*

TAUPE

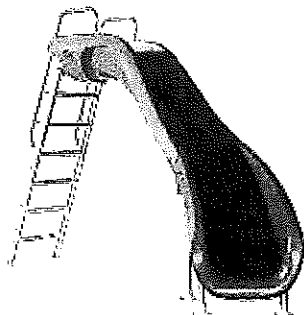


### SALT POOL FRIENDLY

We know pool builders and consumers alike enjoy the benefits of salt chlorinator systems—that's why we've designed a line of products that perform well in salt pool environments. Our Salt Pool Friendly icon is your visual assurance that the most durable and salt friendly materials have been used in manufacturing.

\*Due to differences in material and textures, Gray Granite Diving Boards and Stands are not an exact color match to Gray Granite Slides. Please consult your S.R.Smith sales representative for more details.

pool ideas



### Rogue2

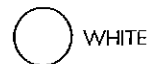
A retro look with a thoroughly modern flume makes this the new standard for backyard fun.

Height: 8', 6'6"/2.4m

Flume: 9' 3" long, 22" wide/2.8m long, 56cm wide, available in right or left curves

Required Deck Space: 5'6" x 10'7"/3.2m x 1.6m

Weight Limit: 250 lbs/113 kg



WHITE



GRAY



BLUE

TAUPE



### BigRide™

With its long, extra deep runway and cascades of rushing water, the BigRide is a perfect landscape slide.

Height: 5'6"/1.7m

Flume: 17' long, 30" wide/5.2m long, 76cm wide, available in right or left curves

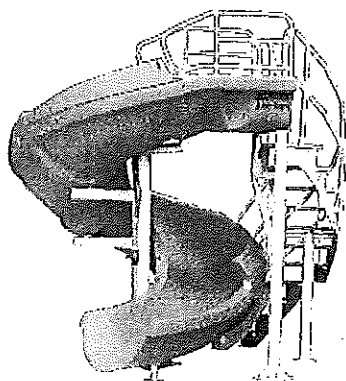
Required Space: 10'11" x 10'7"/3.2m x 3.3m

Weight Limit: 250 lbs/113 kg



PEWTER GRAY

TAUPE



### Vortex®

Big time fun slide!

Height: 10'7", 7'6"/3.2m

Flume: 19' long, 32" wide/5.7m long, 81cm wide, with either an open or closed flume

Ladder: Option of traditional ladder or spiral staircase

Required Deck Space: 9'2" x 11'4"/2.8m x 3.4m (with staircase)  
9' x 9'2"/2.7m x 2.7m (with ladder)

Weight Limit: 325 lbs/147 kg



BLUE



GRAY GRANITE®

Talking to the homeowner? Check out our new SERIOUS FUN brochure, designed to help sell more pools and pool products! You can view and order this beautiful, pictorial selling tool at [srsmith.com/en/order-brochures](http://srsmith.com/en/order-brochures)

\* Due to differences in material and textures, Gray Granite Diving Boards and Stands are not an exact color match to Gray Granite Slides. Please consult your S.R.Smith sales representative for more details.

To ensure you have the most current version of this publication, please visit our website.



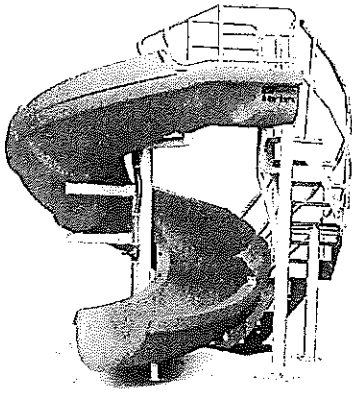
S.R.Smith, LLC  
P.O. Box 400, 1017 SW Berg Parkway  
Canby, Oregon 97013

P 503.266.2231 | TF 800.824.4387 | F 503.266.4334  
[srsmith.com](http://srsmith.com)

Copyright © 2016 S.R. Smith. All rights reserved. ME-BRO-310 20M 0316

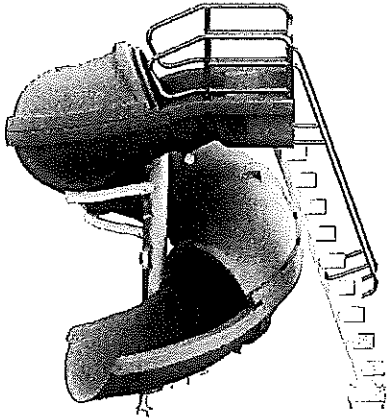


# Vortex®



Big time, fun slide!

- 10'7" in height (7'6" to seat)
- 19' corkscrew runway
- Available with ladder or spiral staircase
- Accommodates sliders up to 325 lbs/147kg
- Sturdy rotomolded construction for strength and durability
- 30 gpm max. water delivery system can be plumbed through the pool's return line
- Intended for use on in-ground swimming pools only



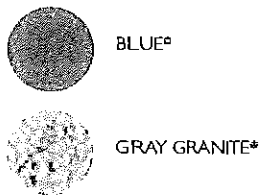
Model No.	Description	Weight (Lbs)	Weight (Kilograms)	Width (Inches)	Depth (Inches)	Height (Inches)
695-209-13	Open flume with ladder, Blue	1350 lbs	612kg	Pallet 1 128"	57"	72"
695-209-124	Open flume with ladder, Gray Granite	1500 lbs	680kg			
695-209-23	Closed flume with ladder, Blue	1500 lbs	680kg	Pallet 2 150"	39"	48"
695-209-224	Closed flume with ladder, Gray Granite	1710 lbs	776kg			
695-209-33	Open flume with staircase, Blue	1860 lbs	844kg	381cm	99cm	122cm
695-209-324	Open flume with staircase, Gray Granite	1860 lbs	844kg			
695-209-43	Closed flume with staircase, Blue	1860 lbs	844kg			
695-209-424	Closed flume with staircase, Gray Granite	1860 lbs	844kg			

\* Gray Granite and Blue slides are not an exact match with Gray Granite and Blue diving boards & stands due to differences in material. Please consult your sales representative for more details.

## Parts & Accessories

- 14-400 Warning Sign
- 06-369 Rules Sign

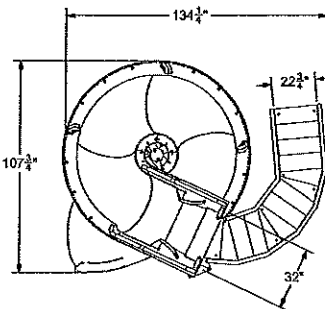
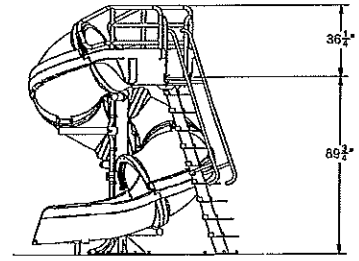
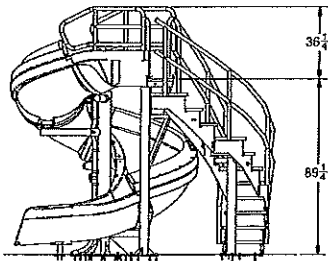
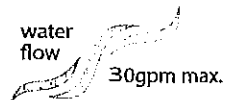
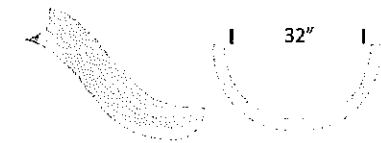
### Slide Color



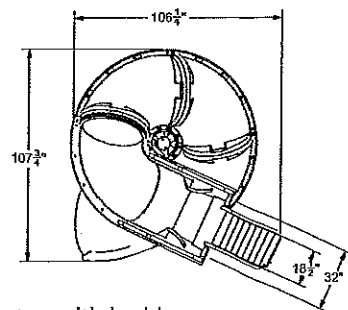
Due to printing technology, actual color may differ.

Adult supervision required at all times when children are using this slide.

### Flume Details



Vortex with Staircase

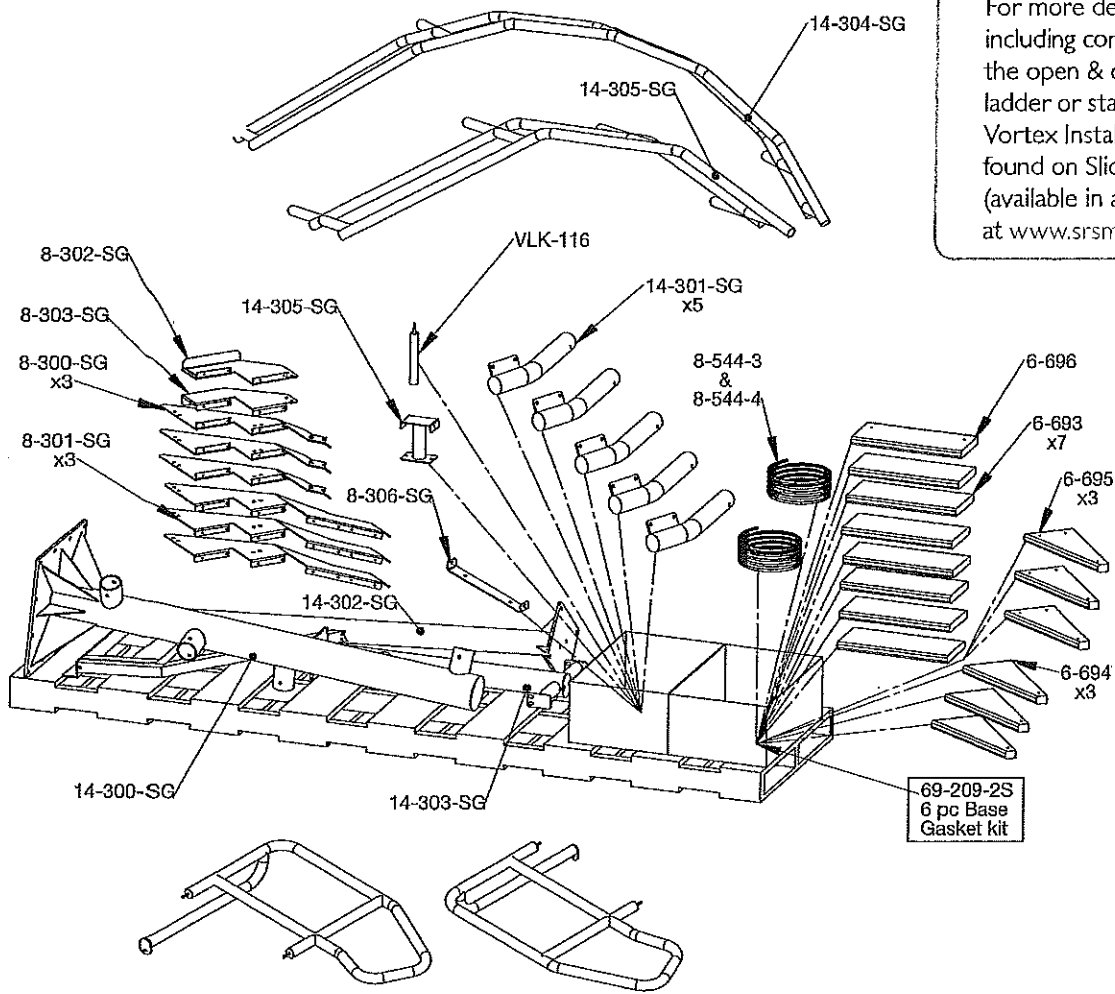


Vortex with Ladder



All S.F. Smith, LLC swimming pool slides fully comply with Consumer Products Safety Commission (CPSC) mandatory safety Standard for Swimming Pool Slides (16 CFR 1207) and are certified by independent third party testing labs. The installer or end-user is responsible for complying with local building codes for the location, installation, construction or assembly of these slides. S.F. Smith, LLC makes no representations that the location, installation, construction or assembly of its slides meet local building codes.

Vortex with Staircase



For more details on the Vortex, including complete parts lists for the open & closed flume styles with ladder or staircase, refer to the Vortex Installation Instructions found on Slides/Vortex web page (available in a downloadable pdf) at [www.srsmith.com](http://www.srsmith.com)

Vortex with Ladder

